



1250 LB LOW PROFILE MOTORCYCLE DOLLY

Model 95896

ASSEMBLY AND OPERATION INSTRUCTIONS



Due to continuing improvements, actual product may differ slightly from the product described herein.



3491 Mission Oaks Blvd., Camarillo, CA 93011

Visit our website at: <http://www.harborfreight.com>

**TO PREVENT SERIOUS INJURY, READ AND UNDERSTAND
ALL WARNINGS AND INSTRUCTIONS BEFORE USE.**

Copyright© 2007 by Harbor Freight Tools®. All rights reserved. No portion of this manual or any artwork contained herein may be reproduced in any shape or form without the express written consent of Harbor Freight Tools.

For technical questions or replacement parts, please call 1-800-444-3353.

SPECIFICATIONS

Weight Capacity	1250 lb.
Construction	Formed Steel Body Thermoplastic Wheels with Carbon Steel Hardware
Dimensions	83" L X 30-1/2" W X 3-3/4" H
Weight	64 lb.
Maximum Motorcycle Wheel Footprint*	6' 4" L X 7-3/4" W

* The "footprint" of the motorcycle is the total size of the tires where they contact the floor. Motorcycles come in many different designs – certain large or customized motorcycles may not work properly with this dolly. Do not modify this dolly to fit any motorcycle it would not normally work with.

Save This Manual

You will need this manual for the safety warnings and precautions, assembly, operating, inspection, maintenance and cleaning procedures, parts list and assembly diagram. Keep your invoice with this manual. Write the invoice number on the inside of the front cover. Write the product's serial number in the back of the manual near the assembly diagram, or write month and year of purchase if product has no number. Keep this manual and invoice in a safe and dry place for future reference.

GENERAL SAFETY RULES

WARNING!

READ AND UNDERSTAND ALL INSTRUCTIONS

**Failure to follow all instructions listed below may result in electric shock,
fire, and/or serious injury.
SAVE THESE INSTRUCTIONS**

WORK AREA

1. **Keep your work area clean and well lit.** Dark and cluttered areas invite accidents.
2. **Keep bystanders and children away while loading Dolly.** Distractions can cause you to lose control.

PERSONAL SAFETY

1. **Stay alert. Watch what you are doing, and use common sense when loading Dolly. Do not use while tired or under the influence of drugs, alcohol, or medication.** A moment of inattention while loading may result in serious personal injury.

2. **Dress properly. Do not wear loose clothing or jewelry. Contain long hair. Keep your hair, clothing, and gloves away from moving parts.** Loose clothes, jewelry, or long hair can be caught in moving parts.
3. **Use safety equipment.** Nonskid safety shoes, hard hat, or hearing protection must be used for appropriate conditions. Always wear ANSI-approved safety goggles and a dust mask/respirator when using or performing maintenance on this tool.

USE AND CARE

1. **Maintain Motorcycle Dolly with care.** When properly cleaned, the Dolly is easier to steer and control. Do not use if damaged.
2. **Check for misalignment or binding of wheels, breakage of parts, and any other condition that may affect the Dolly's operation. If damaged, have Dolly serviced before using.** Many accidents are caused by poorly maintained tools.
3. **Use only accessories that are recommended by the manufacturer for your model.** Accessories that may be suitable for one tool may become hazardous when used on another tool.

SERVICE

1. **Service on Dolly must be performed only by qualified repair personnel.** Service or maintenance performed by unqualified personnel could result in a risk of injury.
2. **When servicing Dolly, use only identical replacement parts.** Use of unauthorized parts or failure to follow maintenance instructions may create a risk of injury.

SPECIFIC SAFETY RULES

1. **Maintain labels and nameplates on the tool.** These carry important information. If unreadable or missing, contact Harbor Freight Tools for a replacement.
2. **Maintain a safe working environment.** Make sure there is adequate surrounding workspace. Do not use this product in a damp or wet location.
3. **Do not exceed maximum load for this product (1250 lbs.).** Loading a heavier object on this product can result in dangerous conditions to both the operator and the item loaded.
4. **Use Dolly only on level, dry surfaces that are capable of bearing the combined weight of the Dolly and motorcycle.**
5. **Use Dolly for motorcycle ONLY.** Do not use Dolly to move any other item or person.
6. **Secure motorcycle firmly using belts or straps (not included).** See illustrations on page 5.
7. **When motorcycle is loaded and secured, move slowly to avoid tipping.**
8. **Put handles on Carriage A and Carriage B in down position when not in use to lock the wheels.**

9. **Never load Dolly by riding motorcycle onto it.**
10. **No one should ever sit on the motorcycle while it is loaded on the Dolly.**
11. **Do not allow children to play on or around motorcycle when loaded.** Do not allow children to play on Dolly. Children should not be allowed in work area when motorcycle is being loaded or when Dolly is in use.

UNPACKING

When unpacking, check to make sure that the item is intact and undamaged. If any parts are missing or broken, please call Harbor Freight Tools at the number shown on the cover of this manual as soon as possible.

ASSEMBLY

1. Attach five Casters Assemblies (4) to Frames (1,2) and Side Tray (3) with M6 Bolts (9), #6 Washers (10) #6 Lock Washers (11) and M6 Nuts (12).
2. Bolt Connecting Plates (5) to both sides of Carriage A (6) and Frame A (1) with M6 Bolts (9), #6 Washers (10), #6 Lock Washers (11) and M6 Nuts (12).
3. Bolt Connecting Plates (5) to both sides of Carriage B (7) and Frame B (2) with M6 Bolts (9), #6 Washers (10), #6 Lock Washers (11) and M6 Nuts (12).
4. Connect Frame A and Frame B together with Connecting Pipes (8) using M8 Bolts (14), #8 Washers (15), #8 Lock Washers (16), and M8 Nuts (17).
5. Bolt Side Tray onto Frame Assembly with M8 Bolts (14), #8 Washers (15), #8 Lock Washers (16), and M8 Nuts (17).
6. Insert the two Stop Pins (13) into slots at each end of the Frame Assembly and firmly tighten.

OPERATION

1. **BEFORE EACH USE**, inspect the general condition of the Dolly. Check for loose screws, misalignment or binding of moving parts, cracked or broken parts, and any other condition that may affect its safe operation. If abnormal noise or vibration occurs, have the problem corrected before further use. Do not use damaged equipment.
2. Test Dolly to make sure it rolls smoothly.
3. Put Handles on Carriage A (6) and Carriage B(7) down to lock Dolly in place.
4. Remove Stop Pin (13) and push motorcycle onto Dolly. For safety, it is recommended that 2 people balance and roll the motorcycle onto Dolly.
5. Lower motorcycle kickstand onto Side Tray (3) and rest motorcycle in place.
6. Replace Stop Pin.
7. Secure motorcycle securely to Dolly using belts or straps (not included).
8. Raise handles on Carriage A and Carriage B to move Motorcycle with Dolly.
See Examples on next page.



Kickstand down and on Side Tray

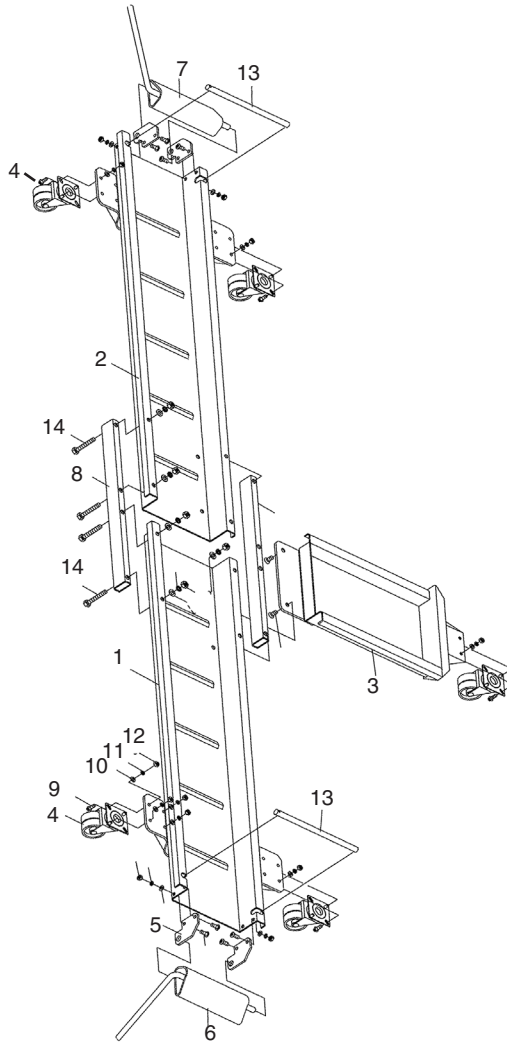
Secured With Straps



Secured With Straps

PARTS LIST

No.	Description	Qty
1	Frame A	1
2	Frame B	1
3	Side Tray	1
4	Caster Assembly	5
5	Connecting Plate	4
6	Carriage A	1
7	Carriage B	1
8	Connecting Pipe	2
9	M6 Bolt	28
10	#6 Washer	28
11	#6 Lock Washer	28
12	M6 Nut	28
13	Stop Pin	2
14	M8 Bolt	10
15	#8 Washer	10
16	#8 Lock Washer	10
17	M8 Nut	10



PLEASE READ THE FOLLOWING CAREFULLY

THE MANUFACTURER AND/OR DISTRIBUTOR HAS PROVIDED THE PARTS LIST AND ASSEMBLY DIAGRAM IN THIS MANUAL AS A REFERENCE TOOL ONLY. NEITHER THE MANUFACTURER OR DISTRIBUTOR MAKES ANY REPRESENTATION OR WARRANTY OF ANY KIND TO THE BUYER THAT HE OR SHE IS QUALIFIED TO MAKE ANY REPAIRS TO THE PRODUCT, OR THAT HE OR SHE IS QUALIFIED TO REPLACE ANY PARTS OF THE PRODUCT. IN FACT, THE MANUFACTURER AND/OR DISTRIBUTOR EXPRESSLY STATES THAT ALL REPAIRS AND PARTS REPLACEMENTS SHOULD BE UNDERTAKEN BY CERTIFIED AND LICENSED TECHNICIANS, AND NOT BY THE BUYER. THE BUYER ASSUMES ALL RISK AND LIABILITY ARISING OUT OF HIS OR HER REPAIRS TO THE ORIGINAL PRODUCT OR REPLACEMENT PARTS THERETO, OR ARISING OUT OF HIS OR HER INSTALLATION OF REPLACEMENT PARTS THERETO.

LIMITED 90 DAY WARRANTY

Harbor Freight Tools Co. makes every effort to assure that its products meet high quality and durability standards, and warrants to the original purchaser that this product is free from defects in materials and workmanship for the period of 90 days from the date of purchase. This warranty does not apply to damage due directly or indirectly, to misuse, abuse, negligence or accidents, repairs or alterations outside our facilities, criminal activity, improper installation, normal wear and tear, or to lack of maintenance. We shall in no event be liable for death, injuries to persons or property, or for incidental, contingent, special or consequential damages arising from the use of our product. Some states do not allow the exclusion or limitation of incidental or consequential damages, so the above limitation of exclusion may not apply to you. THIS WARRANTY IS EXPRESSLY IN LIEU OF ALL OTHER WARRANTIES, EXPRESS OR IMPLIED, INCLUDING THE WARRANTIES OF MERCHANTABILITY AND FITNESS.

To take advantage of this warranty, the product or part must be returned to us with transportation charges prepaid. Proof of purchase date and an explanation of the complaint must accompany the merchandise. If our inspection verifies the defect, we will either repair or replace the product at our election or we may elect to refund the purchase price if we cannot readily and quickly provide you with a replacement. We will return repaired products at our expense, but if we determine there is no defect, or that the defect resulted from causes not within the scope of our warranty, then you must bear the cost of returning the product.

This warranty gives you specific legal rights and you may also have other rights which vary from state to state.

3491 Mission Oaks Blvd. • PO Box 6009 • Camarillo, CA 93011 • (800) 444-3353

Record Product's Serial Number Here: _____

Note: If product has no serial number, record month and year of purchase instead.

Note: Some parts are listed and shown for illustration purposes only, and are not available individually as replacement parts.